



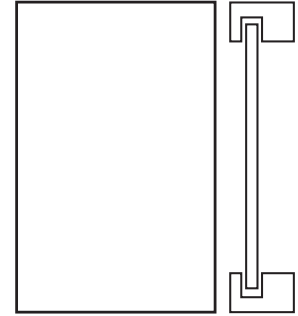
CI/SfB  
(314)Hh4

LO1

# Lift Outs



## Options



### LO

SINGLE LIFT OUT  
PANEL LIFT UP AND OUT  
FOR REMOVAL

## The Product

Economically, the Lift Out is the most cost effective type of secondary glazing available. Its most common application is where limited access to the primary window is required, for example a window which has been installed with the sole object of providing light to a room.

## How it works

As well as economical, the Lift Out is also the most basic form of secondary glazing. As its name implies, it simply lifts out of a secured channel. For practical purposes, it is advised that the sash size be considered since the weight of glass must be of manageable proportions. Each sash is manufactured with a double brush pile seal, further increasing the thermal and sound insulation properties.

# Technical Specifications

CI/SfB
(314)Hh4

## Hardwood Sub-Frames SIZES

21mm x 45mm Standard  
21mm x 62mm Reveal Fix  
30mm x 30mm Bay Adaptor

## Hardwood or PVCU Trims SIZES

6mm x 21mm S.B.N.  
6mm x 27mm S.B.N.  
6mm x 37mm S.B.N.  
6mm x 44mm S.B.N.  
6mm x 55mm S.B.N.  
6mm x 75mm S.B.N.  
6mm x 15mm D.B.N.  
6mm x 33mm D.B.N.  
6mm x 43mm D.B.N.

## Aluminum

Aluminum alloy extruded to exclusive Granada designs from 6063T6 alloy to BS1474.

## Finishes

Natural anodising to AA5 - BS 3987 Polyester Powder to BS 6496. stock finishes in EP white/Van Dyke brown. High gloss finish. 60 microns. Other RAL colours upon request.

## Glazing

In accordance with BS 6206. Choices of 4mm, 6mm Clear Float or toughened, 6.4mm, 6.8mm, 7.5mm Laminates and 6.4mm, 6.8mm, 7.0mm Acoustic Glass.

## Maximum Sizes

**WIDTH x HEIGHT**  
1250mm x 1500mm lift outs

An uprated specification can be obtained upon application to accommodate larger sizes.

## Weather Pile

Polypropylene draught strip to BS 7386.

## Gasket

All gaskets extruded to BS 2782, standard colour black, white 4mm gasket also available.

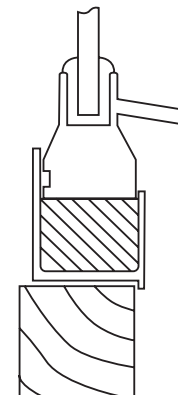
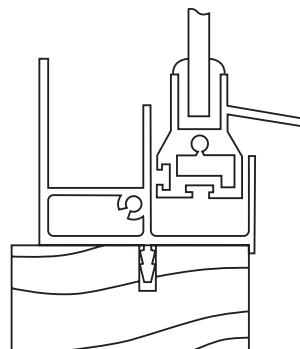
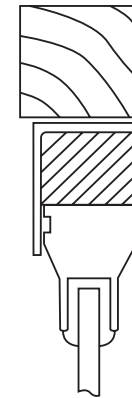
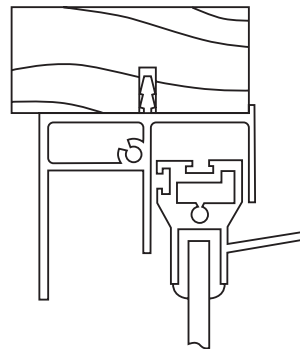
## Acoustics

See separate sheet

## Optional Extras

Arched Heads  
Gothic Heads  
Stacking Units

Can be coupled with other products in the Granada range using Granada's exclusive range of interlocks.



Lift-Out Elevation

Slim-line Lift-Out Elevation